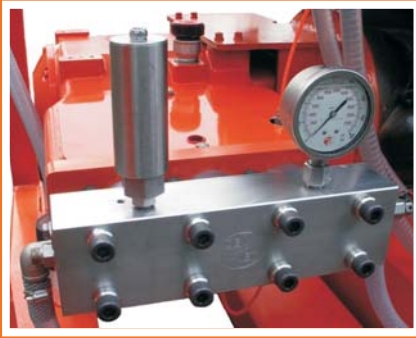
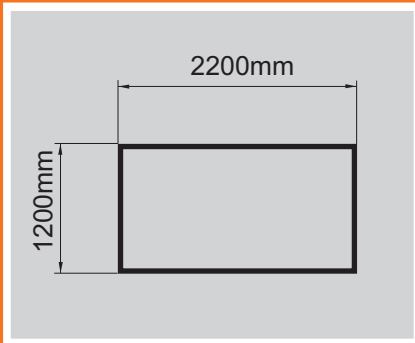


DEN-JET CE150 SERIES HIGH PRESSURE WATER BLASTERS



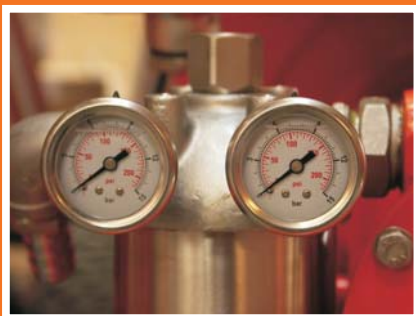
Stainless steel pump-head*.



Compact with Small footprint.



Built In Heavy Duty Electrical Box



Filter Change Indicators.



Centralized Lifting Eye.



Model:	CE150-200	CE150-250	CE150-1000	CE150-1400	CE150-2500
Technical details:					
50 Hz Version					
W.P. Bar / Psi	200/2900	250/3625	1000/15000	1400/20000	2500/36000
Flow Lpm / Gpm	240 / 63	200 / 52	50 / 13	33 / 8,6	21 / 5,5
Motor Hp / Kw	125 / 90	125 / 90	125 / 90	125 / 90	125 / 90
Voltage / Amp.	400 / 160	400 / 160	400 / 160	400 / 160	400 / 160
60 Hz Version					
W.P. Bar / Psi	200/2900	250/3625	1000/15000	1380/20000	2500/36000
Flow Lpm / Gpm	300 / 79	250 / 66	63 / 16,5	42 / 11	25 / 6,5
Motor Hp / Kw	150 / 110	150 / 110	150 / 110	150 / 110	150 / 110
Voltage / Amp.	440 / 180	440 / 180	440 / 180	440 / 180	440 / 180
Dimensions					
L x W x H mm	2100 x 1200 x 1400				
Weight Kg	2200				

All models are CE marked

Standard accessories incl. with each machine:

- 20m high pressure hose.
- Trigger operated dump gun
- Barrel Lance with side handle.
- Nozzle Carrier with Nozzle(s).

Optional accessories for each model:

- x m Thermoplastic hoses
- Hose connectors.
- Air operated Un-loader "Tumble Box"
- Air operated trigger guns.
- Air or Dump operated Deck Cleaner
- Spare part kits.

DEN-JET



Rotating Nozzle



Water Blasting With Rotating Nozzles.



Strainers & Filtration.



DEN-JET Factory
Denmark



DEN-JET Factory
Singapore

HIGH PRESSURE WATER BLASTERS & ACCESSORIES

UHP accessories (< 40.000PSI)

- Pneumatic gun with built in air-motor
- Tumble box.
- Floor/Deck cleaner.
- Hoses & Fittings.
- Nozzles & Nozzle carriers.
- Filters & Filtration systems.



WB accessories (< 20.000PSI)

- Dump & Dry Shot guns.
- Foot valves.
- Unloader & Safety valves.
- Hoses & Fittings.
- Nozzles & Nozzle carriers.
- Wet Sand-Blasting Equipment.
- Strainer & Filters.



Spareparts for other brands

- Guns & accessories.
- Fittings & connections.
- Internal pump parts.
- Packings & repair kits.
- Nozzles & Nozzle carriers.



CD 100 Series

- Complete product range of Electric driven high pressure waterblasters ranging from 200 to 2500 Bar in a compact design for multi-purpose applications.
- Various accessories.



Company Profile :

DEN-JET's long experience in the high pressure industry has enabled us to create a range of water blasters and accessories, suitable for numerous applications in the industrial and marine industries. DEN-JET supplies complete packages to end-users and middlemen, as well as bare shaft pumps and parts to OEM's. Our main goal is to produce quality products at a competitive price level.

Contact:

TJ Chia
SENG LONG CO (S) PTE LTD
Email:
tjchia@senglong.com.sg
sales@senglong.com.sg
Contact No: 81130991 / 62983011